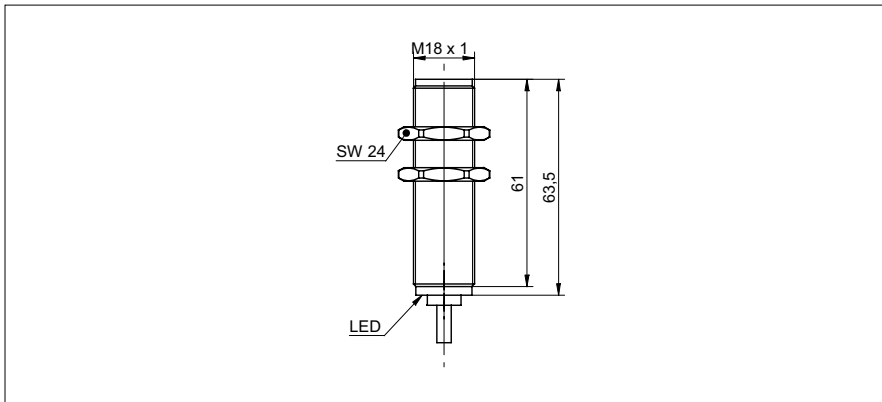


**Capacitive proximity sensors**

**CFAK 18N3100**

**dimension drawing**



**general data**

|                                |                           |
|--------------------------------|---------------------------|
| nominal sensing distance $S_n$ | 5 mm                      |
| mounting type                  | non-flush                 |
| GND electrode                  | no                        |
| temperature drift              | $\pm 15\%$ (0 ... +70 °C) |
| sensitivity adjustment         | no                        |
| output indicator               | LED yellow                |

**electrical data**

|                                    |                         |
|------------------------------------|-------------------------|
| voltage supply range +Vs           | 10 ... 30 VDC           |
| current consumption max. (no load) | 20 mA                   |
| output circuit                     | NPN break function (NC) |
| output current                     | < 200 mA                |
| voltage drop Vd                    | < 1,5 VDC               |
| switching frequency                | < 50 Hz                 |
| short circuit protection           | yes                     |
| reverse polarity protection        | yes                     |

**mechanical data**

|                  |                      |
|------------------|----------------------|
| type             | cylindrical threaded |
| housing material | PBT                  |
| dimension        | 18 mm                |
| housing length   | 63,5 mm              |
| connection types | cable, 2 m           |

**ambient conditions**

|                       |                                |
|-----------------------|--------------------------------|
| operating temperature | -25 ... +75 °C                 |
| protection class      | IP 67/65 (sensing face/sensor) |

**field of application**

|  |     |
|--|-----|
| detection of non-conductive media      | yes |
| fill level detection through container | yes |
| liquids in direct contact              | yes |
| object detection / bulk goods          | yes |

**photo**



**connection diagram**

